

## Modular Preparation 600 mm Cupboard Base for Sink Top

ITEM # \_\_\_\_\_

MODEL # \_\_\_\_\_

NAME # \_\_\_\_\_

SIS # \_\_\_\_\_

AIA # \_\_\_\_\_



121201 (TELP6)

 Cupboard Base for Sinks  
 Top, 600mm

### Short Form Specification

Item No. \_\_\_\_\_

Constructed entirely in 304 AISI stainless steel. Front and rear longitudinal stainless steel c-channel reinforcement. Door incorporates a sound deadening internal panel and is fitted with 304 AISI stainless steel hinges allowing an opening of 180° degrees. 150mm height-adjustable (0/+90mm) oversized feet (65x65mm) can be removed for masonry installation. 45° degree internal side corner junction system.

### Main Features

- Masonry installation possible by simply removing feet.
- Extremely easy to clean thanks to the smooth edges.

### Construction

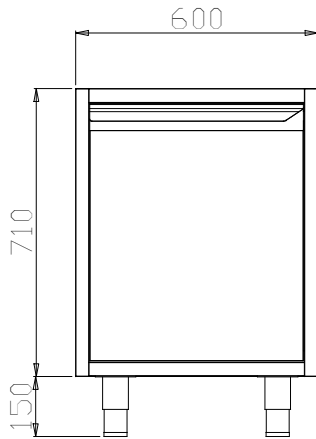
- Mounted on 150 mm height adjustable (0/+90 mm) oversized (65x65 mm) feet.
- Front and rear lengthwise stainless steel c-channel reinforcement, 15/10 (16 gauges).
- Internal sides supporting the structure to have 45° degrees internal side corners junction system.
- 30 mm high middle-shelf in AISI 304 stainless steel, height-adjustable in 3 positions, with inner double fold to eliminate gaps between sides and back.
- Hinged door with sound deadening internal panels, fitted with 304 AISI stainless steel hinges on the inner sides, allows a 180° degree opening.
- Constructed entirely in AISI 304 Stainless Steel with Scotch Brite finish.

### Optional Accessories

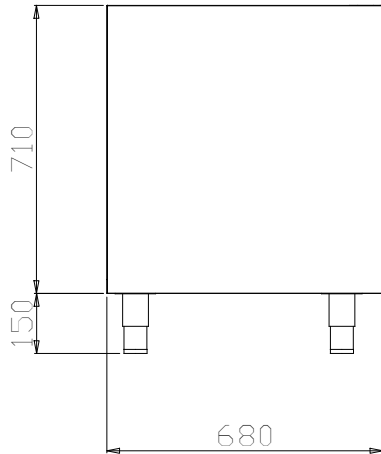
- Stainless steel plinth, 600mm PNC 855822
- Stainless steel plinth for end elements, 700mm depth PNC 855837
- Stainless steel plinth for end elements, central installation, 700mm depth PNC 855838

APPROVAL: \_\_\_\_\_

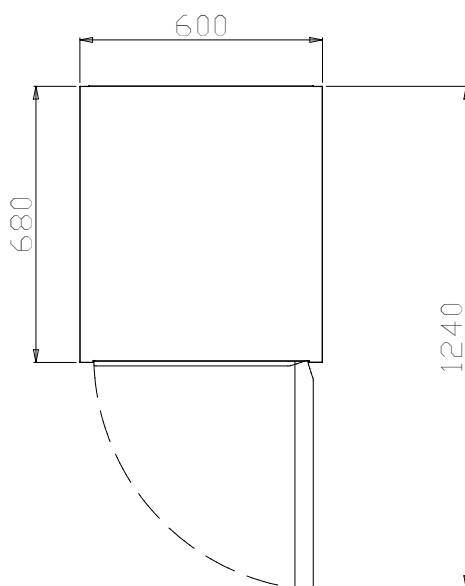
Front



Side



Top

**Key Information:**

|                                     |        |
|-------------------------------------|--------|
| <b>Cabinet width:</b>               |        |
| 121201 (TELP6)                      | 520 mm |
| <b>Cabinet depth:</b>               | 570 mm |
| <b>Cabinet height:</b>              | 610 mm |
| <b>N° of doors:</b>                 | 1      |
| <b>Door Type:</b>                   | Hinged |
| <b>External dimensions, Width:</b>  | 600 mm |
| <b>External dimensions, Depth:</b>  | 680 mm |
| <b>External dimensions, Height:</b> | 860 mm |
| <b>Net weight:</b>                  | 22 kg  |